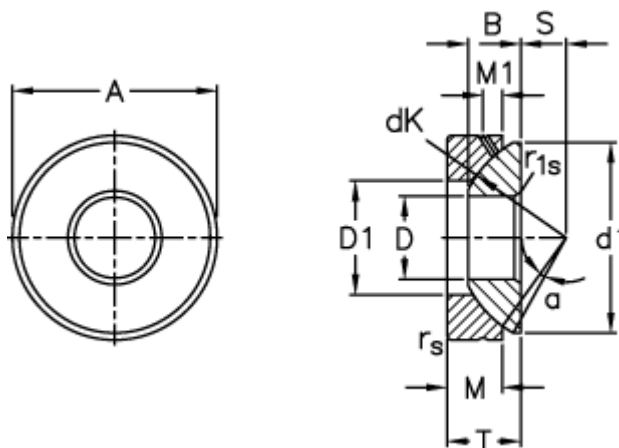


Article number: 03511012

Description: Fluro Rod end GE 12AX

Measures



A	= 35 0 -0,011	M1	= 4
B	= 9.5	rs, r1s min	= 0.6
D	= 12 0 -0,008	S	= 8
d1 max	= 32	Static axial load C0 (kN)	= 163
D1 min	= 18	T	= 13 +0,25 -0,40
dK	= 38	Tilt angle	= 5
Dynamic axial load C (kN)	= 32.5	Weight	= 72
M	= 9.3		